

AC POWER MONITOR (GENERAL-PURPOSE CT INPUT TYPE)

DATA SHEET

PPMC

The AC power monitor calculates and indicates active power, reactive power, integrated power, integrated reactive power, frequency and power factor through measurement of single or three-phase AC voltage and current, and stores the measured data.

Voltage is input directly or via a step-down transformer, and current is measured with a general-purpose current sensor (CT) of secondary-side current of 5A or 1A.



FEATURES

1. Readily connectable to existing wiring
Because this monitor is compact (48 × 96 × 100) and lightweight, it can be readily installed in individual facilities, equipment, and distribution board with limited installation space. Since a CT of secondary-side current of 5A/1A that is generally used in the field of power measurement can be used and its secondary-side current can be directly input, a relay CT is not required and wiring can be facilitated.
2. Easy data recording and acquisition
For saving and recording measured data, an IC memory card is usable. Data in a long time can be saved. The saved data can be loaded and edited with the card inserted in the card slot of a personal computer. Thus data acquisition by IC memory card does not involve placement of communication cables.
3. Collective monitor possible via network
Centralized monitoring and control of distributed measurement points can be implemented via an RS-485 communication interface. There are two methods selectable; real-time acquisition of measured data with a personal computer and loading of data recorded on an IC memory card into a personal computer.

3. Input current

- Rated input current: 5A AC (secondary current of current sensor)
- Measurement input current: 0A to 5.5A AC (secondary current of current sensor)
- Accuracy-guaranteed range: 0.1 to 5.5A AC

4. Allowable input current: 1.5 times the rated current (for 10 sec)

5. Frequency: 45 to 65 Hz

6. Power factor: 0.0 to 1.0 (no distinction between lead and lag)

7. Input protection:

- Excessive line voltage: Surge absorber
- Common mode voltage: Transformer
- Overvoltage at current input terminal: Antiparallel diode

SPECIFICATIONS

Input specification

1. Measurement method:
1-phase 2-wire, 1-phase 3-wire and 3-phase 3-wire
2. Input voltage:
 - Rated input voltage: 200V AC
 - Measurement input voltage: 20V to 240V AC
 - Effective input voltage (accuracy-guaranteed voltage): 20 to 240V AC
 - Allowable input voltage: 1.2 times the rated voltage (continuous), 1.5 times (for 10 sec)

(Note 1) In a 440V, 3300V or 6600V system, step-down is required with a transformer installed externally.
(Note 2) Voltage is isolated with the internal transformer.
(Note 3) For without voltage measurement, the value of the voltage and power factor should be set by the operation key.

Indication unit specification

1. Numerical indication:

4 digits, 7-segment LED, red

2. Selected item indication:

2-color LED, red, green

Contents and range of data indication

Data	Contents of indication	Indication range	Remarks
Voltage	Instantaneous and mean effective values	20V to 9999V	---- (horizontal bar) is indicated in case of 20 V or less.
Current	Instantaneous and mean effective values	0.01A to 9999A	---- (horizontal bar) is indicated in case of about 0.01A or less.
Power	Instantaneous and mean value	-999kW to 9999kW	
Reactive power	Instantaneous and mean value	-999kvar to 9999kvar	Reactive power calculation method is used.
Integrated power	Integrated power value	0 to 9999 × 100kWh	
Integrated reactive power	Integrated reactive power value	0 to 9999 × 100kvar	
Frequency	Instantaneous and mean value	10.0Hz to 99.9Hz	
Power factor	Instantaneous and mean value	0.00 to 1.00	

(Note 1) When integrated power or integrated reactive power value exceeds 9999, it returns to 0 and integration restarts.

(Note 2) When current, power or reactive power rises beyond 9999, "ovr" is indicated. And when power, integrated power, reactive power or integrated reactive power falls below -999, "-ovr" is indicated.

Indication accuracy

1. Voltage: ±1% FS

(Note) FS (Full Span) = 200 V

2. Current: ±1% FS

(Note) FS: 5A × CT ratio (in case of 5A (secondary) CT)
1A × CT ratio (in case of 1A (secondary) CT)

3. Power: ±1.5% FS

(Note 1)

- FS: 1.73kW × CT ratio (5A (secondary) CT, 3-phase 3-wire system)
- 2kW × CT ratio (5A (secondary) CT, 1-phase 3-wire system)
- 1kW × CT ratio (5A (secondary) CT, 1-phase 2-wire system)
- 0.35kW × CT ratio (1A (secondary) CT, 3-phase 3-wire system)
- 0.4kW × CT ratio (1A (secondary) CT, 1-phase 3-wire system)
- 0.2kW × CT ratio (1A (secondary) CT, 1-phase 2-wire system)

(Note 2) At power factor 0.67 to 1

4. Reactive power: ±3% FS

(Note 1)

- FS: 1.73kvar × CT ratio (5A (secondary) CT, 3-phase 3-wire system)
- 2kvar × CT ratio (5A (secondary) CT, 1-phase 3-wire system)
- 1kvar × CT ratio (5A (secondary) CT, 1-phase 2-wire system)
- 0.35kvar × CT ratio (1A (secondary) CT, 3-phase 3-wire system)
- 0.4kvar × CT ratio (1A (secondary) CT, 1-phase 3-wire system)
- 0.2kvar × CT ratio (1A (secondary) CT, 1-phase 2-wire system)

(Note 2) At power factor 0.67 to 1

5. Integrated power: ±1.5% FS

6. Integrated reactive power: ±3% FS

7. Frequency: ±0.5%

8. Power factor: ±10% FS (Note) FS; 1.0

Specification of operation unit

1. Operation key: 4 keys, pushbutton type

2. Operation key function:

- Indication data changeover: Voltage, current, power, reactive power, integrated power, integrated reactive power, frequency, power factor
- Measurement condition setting - 1:
 - Selection of the number of phases: 1-phase 2-wire, 1-phase 3-wire or 3-phase 3-wire, factory-set to "3-phase 3-wire"
 - Setting of current sensor (CT) ratio: 0 to 9999, factory-set to "1"
 - Selection of primary voltage of externally installed transformer: non (none), 220V, 440V, 3300V or 6600V, factory-set to "non (none)"
 - Setting of power alarm value: 0 to 9999 kW, factory-set to "9999"
 - Selection of measurement mode: Usual measurement mode/energy saving mode, factory-set to "usual measurement mode" (Note) Energy saving mode is a function scheduled to be added in future.
 - Setting of data saving interval: (Common for internal system of this monitor and IC memory card) 5, 6, 7, 8, 9, 10, 15, 20, 30, 40, 45, 50, 60 or 120 min, factory-set to "5 min"
 - Integrated power pulse output unit: non (none), -3 (= 0.001kWh), -2 (= 0.01kWh), -1 (= 0.1kWh), 0 (= 1kWh), 1 (= 10kWh), 2 (= 100kWh) Factory-set to "non"
- Measurement condition setting - 2:
 - Setting of LED indication ON time: Always ON or time period till OFF after end of operation is to be set. 1, 2, 3, 4, 5, 6, 7, 8, 9, 10, 15, 20, 30, 40, 45, 50 or 60 min, factory-set to "usually ON" (Note) For turning ON the LED indication after OFF, press any key.
 - Setting of monitor ID No.: Factory-set in 6 alphanumeric characters (This number is the same as the serial No. of this monitor. The serial No. is marked on the nameplate of this monitor.)
 - Selection of communication protocol: nor (our company's system) or Modbus RTU mode, factory-set to "nor"
 - Setting of time: Display and setting of the internal clock of this instrument (Note) Set and display year, month, and day on the master side using communication function.
 - Setting of fixed voltage value: 0 to 9999 V, factory-set to "0V" (Note) When the fifth digit of the code symbol is specified as "E" (without voltage measurement), the instrument operates at this voltage setting.

Pulse output specification of integrated power

- Unit of pulse output: 0.001kWh/pulse, 0.01kWh/pulse, 0.1kWh/pulse, 1kWh/pulse, 10kWh/pulse, 100kWh/pulse non (none)
- Pulse output type: Open collector, 1 point, 30V/100mA
- Pulse width: 100ms
- Minimum output interval: 1 sec.
(Note 1) This interval has been factory-set to "non."
(Note 2) Integrated power pulse output terminal is also used for alarm output. So when provision of alarm output is selected, integrated power pulse output function cannot be used.

Communication specification (option)

- Interface:** EIA RS-485 and RS-232C
(Note) Both communication terminals for EIA RS-485 and RS-232C are provided individually, but their simultaneous use is unallowable.
- Communication protocol:**
Unique to our company and MODBUS RTU mode
- Communication method:**
Half-duplex, bit serial, start-stop synchronization
- Data format:** Data length : 8 bits, 7 bits
Parity : no parity, odd, even
Factory-set : 8 bits, no parity
- Communication speed:**
4800bps, 9600bps, 19200bps
Factory-set : 9600bps
- System configuration (General example):**
 - Master machine:
 - Personal computer: DOS/V machine
 - OS: Windows 95/98
 - Recommended operating environment: Memory capacity 16 MB or more, free hard disk area 40 MB or more
 - RS-232C/RS-485 signal converter:
Generally used for connection with a personal computer via the RS-485 interface of this monitor.
Recommended product: Model KS485PTI (made by System Sacom, Japan)
 - This monitor (with communication function):
RS-232C interface is provided for 1:1 communication with personal computer.
RS-485 interface is capable of connecting up to 32 units including personal computer.
 - Data collection software exclusive to this instrument (optionally available)
- Communication function:**
The following operations can be carried out from a personal computer using PPM original protocol.
(The software is exclusive to Fuji's communication protocol and does not support MODBUS protocol.)
 - Real-time readout of measured data having the specified ID
 - Data to be measured: Measured date (year, month, day, hour, minute, second), voltage, current, power, reactive power, integrated power, integrated reactive power, frequency, power factor

- Readout and deletion of data saved on the IC memory card having the specified ID
- Data to be saved: Date and time of measurement, mean voltage, mean current, mean power, maximum voltage, maximum current, maximum power, integrated power, mean reactive power, maximum reactive power, integrated reactive power and mean power factor in each saving time interval
In case of 1-phase 3-wire system and 3-phase 3-wire system, voltage and current data will be saved in 2 channels.
- Readout, change and resetting of measurement conditions set on the monitor having the specified ID
- Readable and changeable measurement conditions:
Calendar (year, month, day, hour, minute, second), primary voltage of measuring circuit of externally installed transformer, CT ratio, power alarm set value, data saving time interval, LED indication ON time, fixed voltage, fixed power factor, pulse output unit
- Resettable items:
Alarm, integrated power, integrated reactive power
- Setting of personal computer communication port

Power requirement

- Rated line supply voltage:
100 V to 220 V AC, 50/60 Hz
- Usable line supply voltage:
90 V to 264 V AC, 50/60 Hz
- Power consumption:
About 5 VA

Operating environment

- Temperature limits:
-10 to 50°C
- Humidity limits:
90% RH or less (non-condensation)

Transport and storage conditions

- Temperature limits:
-20 to 60°C
- Humidity limits:
90% RH or less (non-condensation)
- Shock:
Package endures a fall within a height of 1 m.

General performance and characteristic

- Response time:
About 1 sec
- Insulation resistance:
100 M Ω or more/500 V DC
- Dielectric strength:
2000 V AC for 1 min between voltage input terminal and internal circuit
2000 V AC for 1 min between power supply terminal and internal circuit

Structure

- Enclosure: Plastic case (material: PC-ABS)
- Flame resistance: UL94V-0
- Finish color: Ivory
- External dimensions (W × H × D): 48 × 96 × 100 mm
- Mass: About 400 g
- Mounting: Flush with panel
- External terminal: Screw terminal (M3.5)

CODE SYMBOLS

Digit	Specification	Note	4	5	6	7	8	9
4	<Application> General-purpose CT input		C					
5	<No. of phases, with/without voltage measurement> 1-phase 2-wire, 1-phase 3-wire, 3-phase 3-wire/without voltage measurement 1-phase 2-wire, 1-phase 3-wire, 3-phase 3-wire/with voltage measurement	Note	E	F				
6	<Operation key, indicator> With operation key, with indicator		B					
7	<Communication function> None RS-485/RS-232C				Y	R		
8	<Revision No.>						2	
9	<Memory card function> None Provided (memory card should be ordered separately)							Y M

(Note) Notes in the case where "without voltage measurement" is specified
When "without voltage measurement" is specified, the instrument measures current value only. (It is required to set voltage and power factor value with operation keys or via communication function of the master beforehand.)
Calculate the power and integrated power from the voltage setting, power factor setting, and the actual current measurement value. It is not suitable for the measurement of the load with large voltage fluctuation or power factor variation, or when these values are not known.
To use the instrument for those purposes, specify "with voltage measurement."

2. Items to be ordered separately

Item	Type
Data collecting software (CD-ROM) for personal computer	PPMS1001
Memory card	FMG-16SW
Memory card adapter	PC-AD3B
Floppy disk adapter for memory card	FD-A2B
Front cover	TK4G1615p1
RS-485/RS-232C converter	KS485-PT1
Converter cable	CBL-16

3. General-purpose CT

General-purpose CT of secondary-side current of 5A or 1A must be supplied separately.

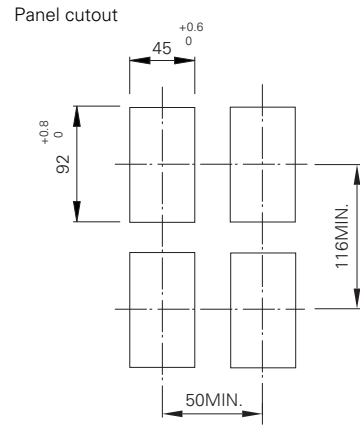
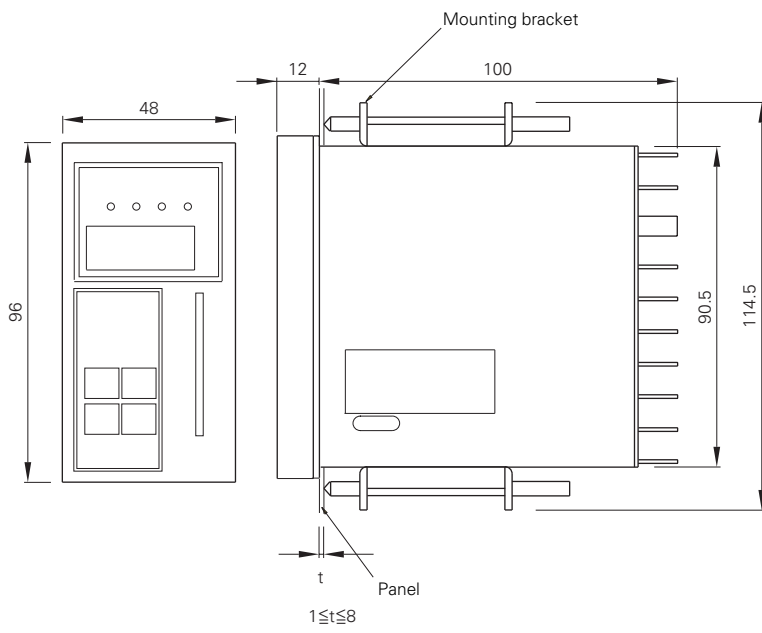
SCOPE OF DELIVERY

AC power monitor main unit, mounting bracket, instruction manual, overvoltage limiter for current input (2 pcs)

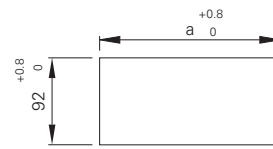
ORDERING INFORMATION

1. Type of AC Power Monitor main unit
2. Optional device name and type

OUTLINE DIAGRAM (Unit: mm)



For closely installing multiple units side by side



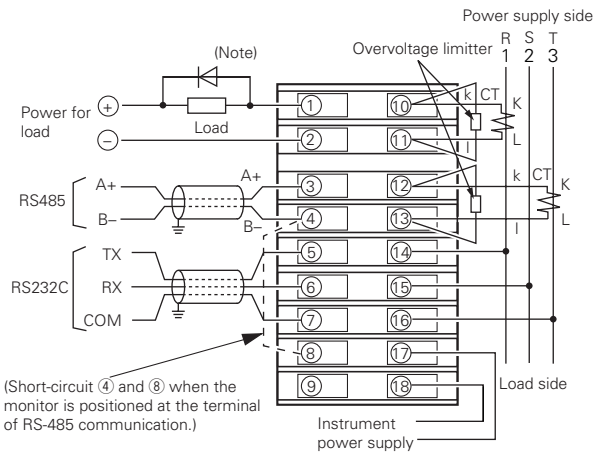
Number of units	2	3	4	5	6
a	93	141	189	237	285

CONNECTION DIAGRAM

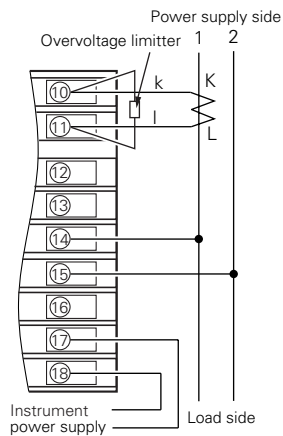
External terminal (M3.5 screw)

(Alarm output/integrated power pulse output)	1	10 (R-phase (1) current k (ch0))
(Alarm common/integral power pulse common)	2	11 (R-phase (1) current l (ch0))
(RS485 (A+))	3	12 (T-phase (3) current k (ch1))
(RS485 (B-))	4	13 (T-phase (3) current l (ch1))
(RS232C (TX))	5	14 (R-S phase (1-2) voltage (ch0))
(RS232C (RX))	6	15 (Voltage common)
(RS232C (COM))	7	16 (T-S phase (3-2) voltage (ch1))
(RS485 (Term))	8	17 (Instrument power supply)
(N.C.)	9	18 (Instrument power supply)

(1) In case of 3-phase 3-wire with voltage measurement and 1-phase 3-wire with voltage measurement

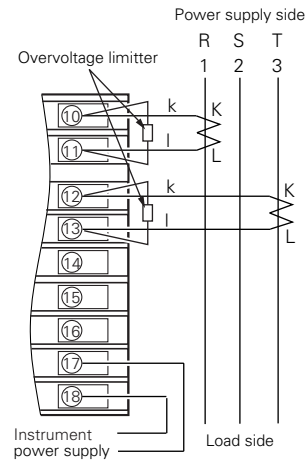


(2) In case of 1-phase 2-wire with voltage measurement

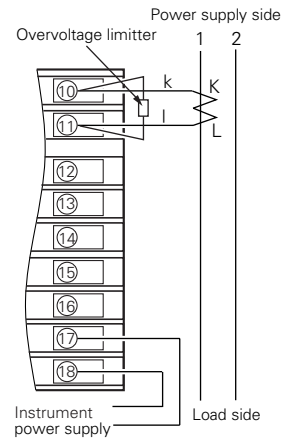


(Note) Be sure to use the overvoltage limiter supplied with this instrument.

(3) In case of 3-phase 3-wire without voltage measurement and 1-phase 3-wire without voltage measurement



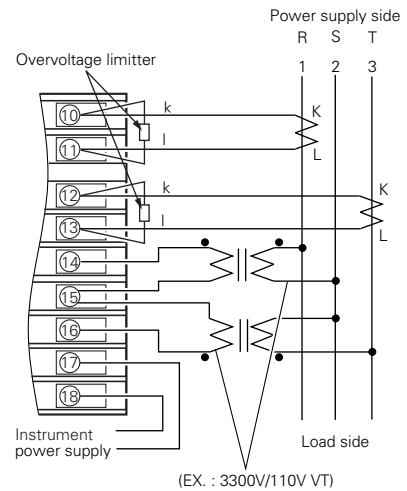
(4) In case of 1-phase 2-wire without voltage measurement



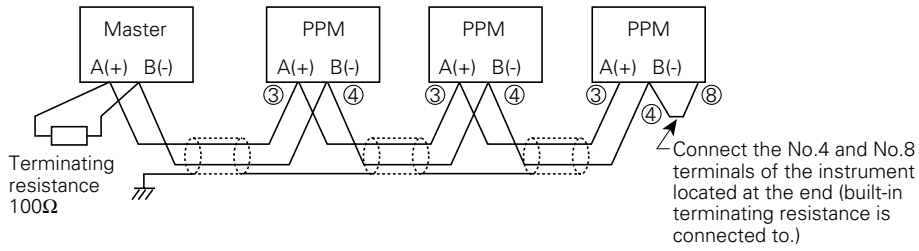
(5) Measuring example for 3300V

Ex.: 3-phase 3-wire measuring circuit

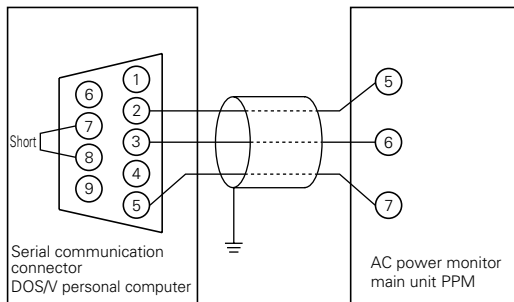
* Use a step-down transformer whose secondary output is 110 V.



(6) Wiring for RS-485 communication



(7) Wiring for RS-232C communication



Note: This monitor is not a supply meter.

Note: Smart Media is a registered trademark of Toshiba Corp.

Note: Windows and Excel are registered trademarks of Microsoft Corporation, U.S.A.

⚠ Caution on Safety

*Before using this product, be sure to read its instruction manual in advance.

Fuji Electric Systems Co., Ltd.

Head Office

Gate City Ohsaki, East Tower, 11-2, Osaki 1-chome,
Shinagawa-ku, Tokyo 141-0032, Japan

<http://www.fesys.co.jp/eng>

Instrumentation Div.

International Sales Dept.

No.1, Fuji-machi, Hino-city, Tokyo, 191-8502 Japan

Phone: 81-42-585-6201, 6202 Fax: 81-42-585-6187

<http://www.fic-net.jp/eng>

Information in this catalog is subject to change without notice.