

EQUALIZING VALVE, OVAL FLANGE

DATA SHEET

FFN, FFP

EQUALIZING VALVE

This equalizing valve is designed for use with differential pressure transmitters or flow rate transmitters. It is composed of two stop valves for blocking high and low pressures and one equalizing valve.

SPECIFICATIONS

Pressure rating: 16MPa, 42MPa

Material: Main unit ; SUS316
 Mounting bolt ; SUS316L
 Gasket ; Teflon

Fluid temperature:
 -40°C to 120°C
 (Under non-freezing condition)

Ambient temperature:
 -40°C to 120°C

Process connection:
 Rc1/2, Rc1/4, 1/2-14NPT, 1/4-18NPT



FFN3G

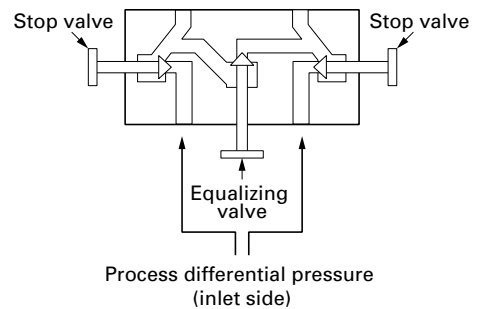


FFN3F

CODE SYMBOLS

1	2	3	4	5	6	7	8	9	10	Description
F	F	N					0	3		
3	F									16MPa without oval flange
3	G									16MPa with oval flange
3	J									16MPa with pressure piping
4	J									42MPa with pressure piping
										Material
										Main unit SUS316
										Mounting bolt SUS316L (FFN3F, FFN3G only)
										No-oil treatment
										Without
										With
										Process connection
										1 Rc1/2
										2 Rc1/4
										3 1/2-14NPT
										4 1/4-18NPT

STRUCTURAL PRINCIPLE

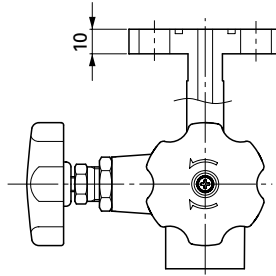
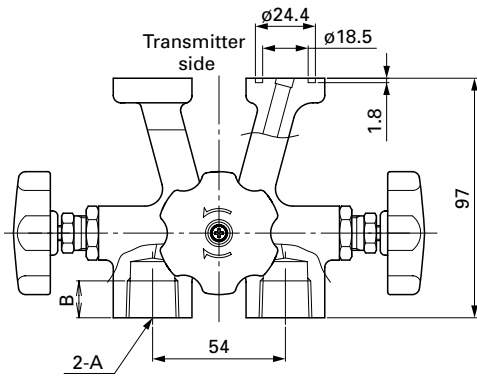


SCOPE OF DELIVERY

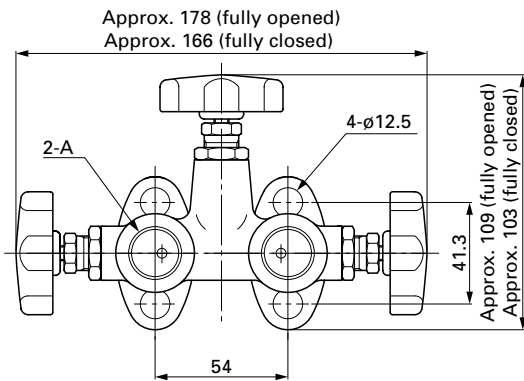
- FFN3F: Equalizing valve main unit, transmitter mounting bolt (4), gasket (2)
- FFN3G: Equalizing valve main unit, transmitter mounting bolt (4), gasket (4)
 Oval flange (Type: FFP5) (2), Oval flange mounting bolt (4)
- FFN3J, FFN4J:
 Equalizing valve main unit, mounting bracket

OUTLINE DIAGRAM (Unit: mm)

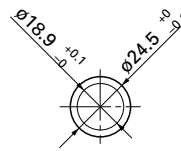
Direct coupling type equalizing valve FFN3F



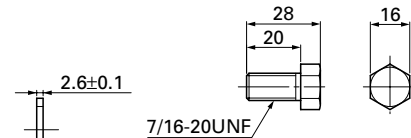
10th digit of CODE SYMBOLS	A	B
1	Rc1/2	15
2	Rc1/4	10
3	1/2-14NPT	15
4	1/4-18NPT	10



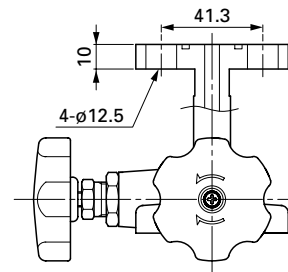
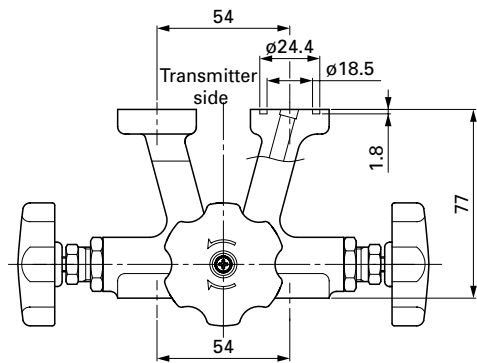
Gasket (Supplied)



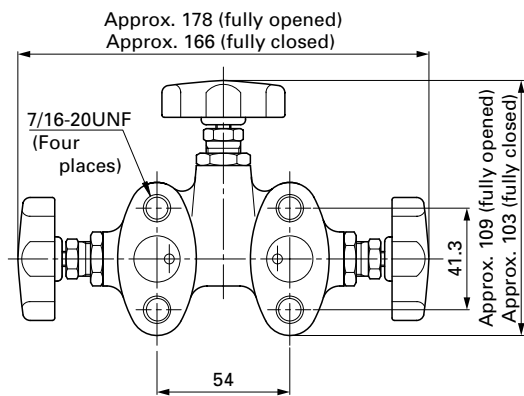
Bolt (Supplied)



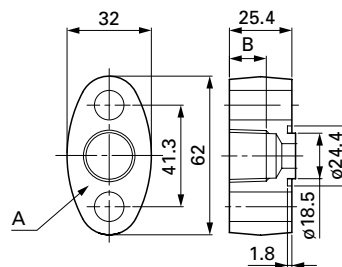
Direct coupling type equalizing valve FFN3G



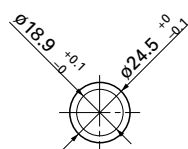
10th digit of CODE SYMBOLS	A	B
1	Rc1/2	15
2	Rc1/4	10
3	1/2-14NPT	15
4	1/4-18NPT	10



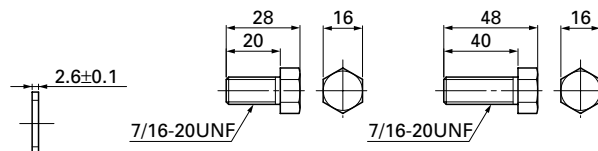
Oval flange (Supplied)



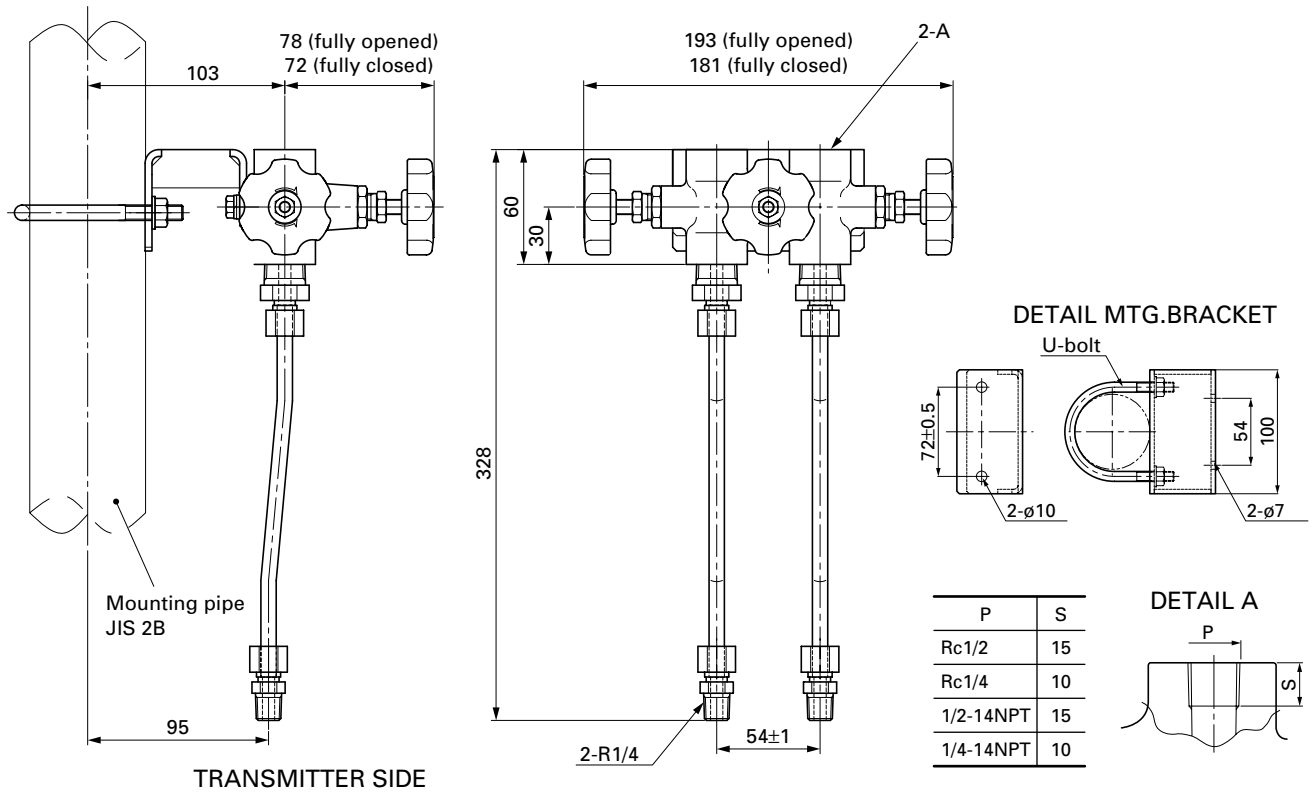
Gasket (Supplied)



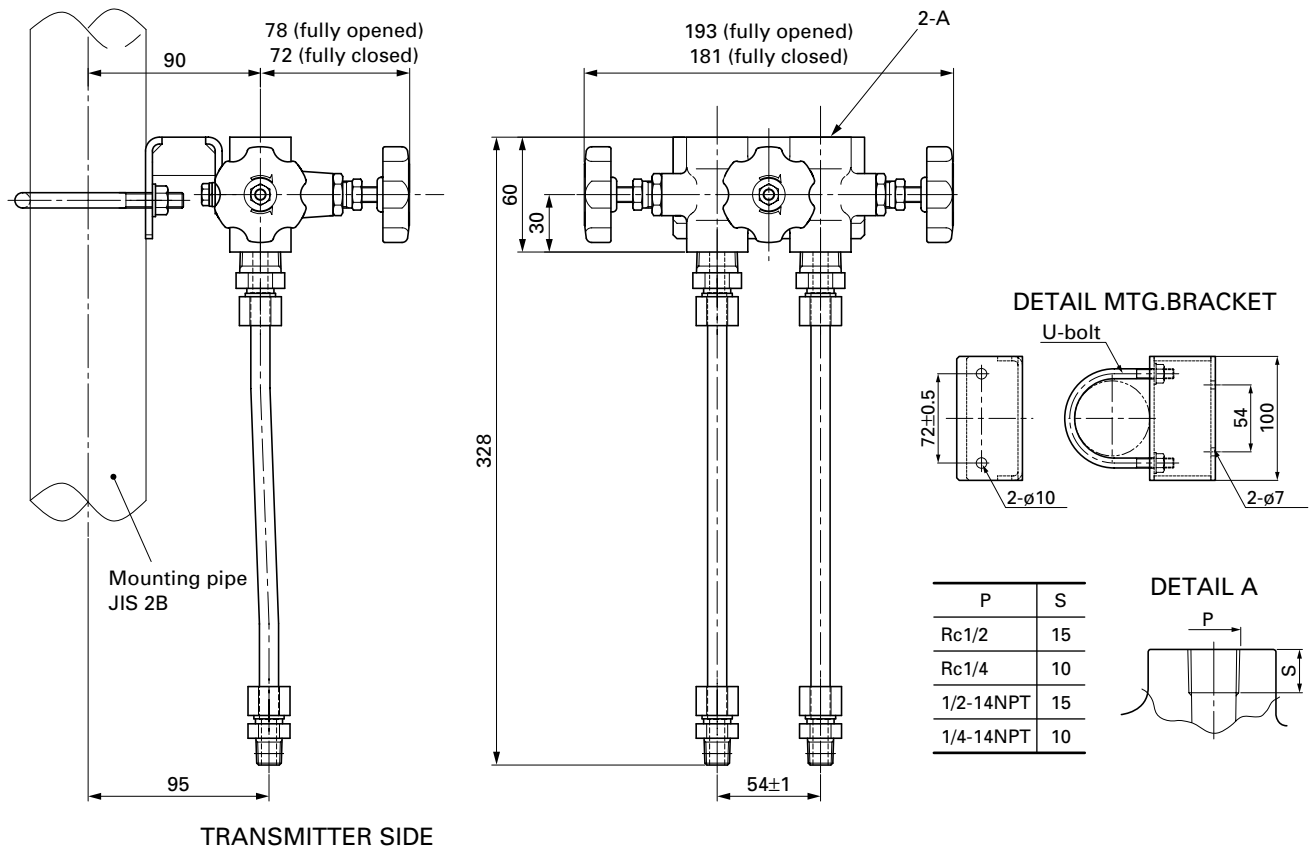
Bolt (Supplied)



Equalizing valve with pressure piping FFN3J



Equalizing valve with pressure piping FFN4J



OVAL FLANGE

This oval flange is used to connect differential pressure, flow rate, or pressure transmitter or equalizing valve with a process pressure piping.

SPECIFICATIONS

Pressure rating: 16MPa, 42MPa

Material: Oval flange ; SUS316
 Mounting bolt ; SUS316L
 Gasket: FFP5(16MPa) ; Teflon
 FFP6(42MPa) ; Teflon with glass fiber

Fluid temperature: -40°C to 120°C (Under non-freezing condition)

Ambient temperature: -40°C to 120°C

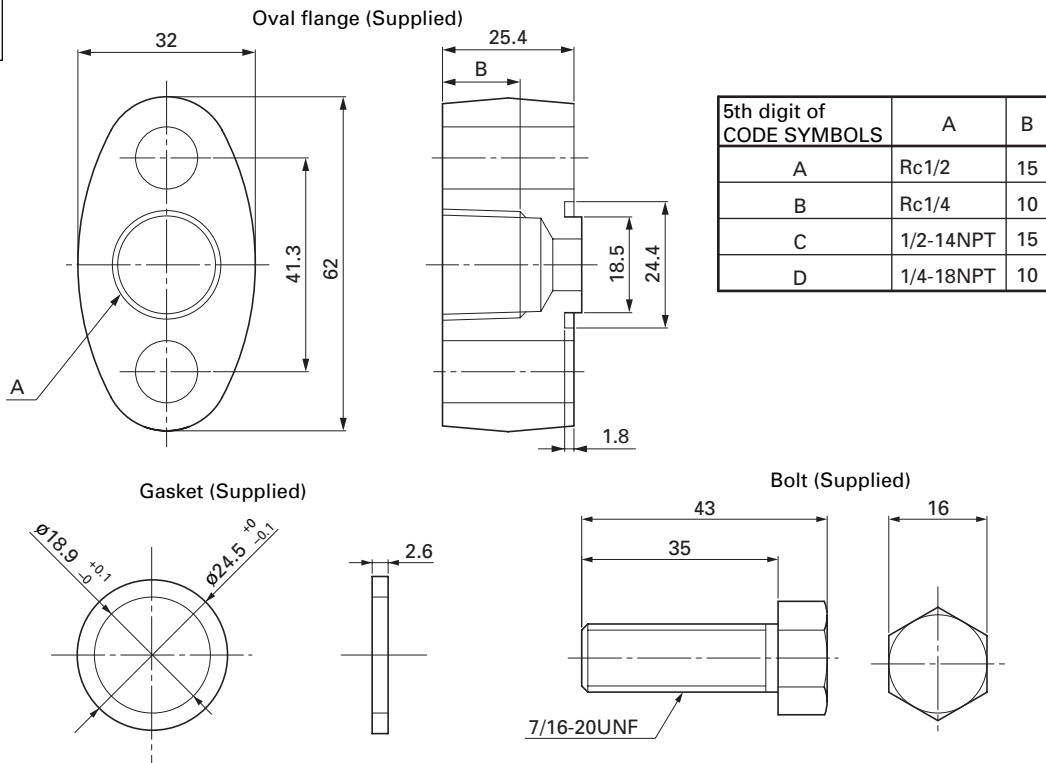
Process connection: Rc1/2, Rc1/4, 1/2-14NPT, 1/4-18NPT

SCOPE OF DELIVERY

FFP5: Oval flange, mounting bolt (2), gasket (1)

OUTLINE DIAGRAM (Unit: mm)

Oval flange FFP 5
6



CODE SYMBOLS

Description								
1	2	3	4	5	6	7	8	9
F	F	P				0	3	
Pressure rating								
16MPa Available for FFN3G								
42MPa								
Process connection								
Rc1/2								
Rc1/4								
1/2-14NPT								
1/4-18NPT								
Material								
Main unit					Mounting bolt			
SUS316					SUS316L			
Treatment								
Without								
No-oil treatment								

ORDERING INFORMATION

- Product name
- Type

⚠ Caution on Safety

*Before using this product, be sure to read its instruction manual in advance.

Fuji Electric Systems Co., Ltd.

Head Office

Gate City Ohsaki, East Tower, 11-2, Osaki 1-chome,
 Shinagawa-ku, Tokyo 141-0032, Japan
<http://www.fesys.co.jp/eng>

Instrumentation Div.

International Sales Dept.

No.1, Fuji-machi, Hino-city, Tokyo, 191-8502 Japan
 Phone: 81-42-585-6201, 6202 Fax: 81-42-585-6187
<http://www.fic-net.jp/eng>