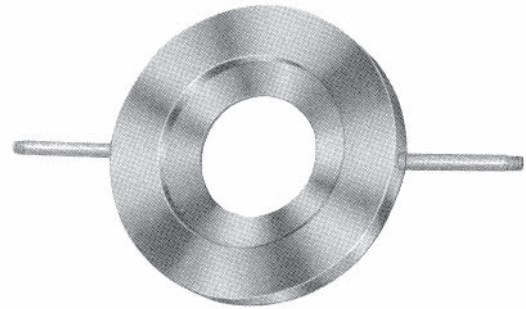


DIFFERENTIAL PRESSURE DEVICE
SINGLE-PART ORIFICE PLATE

DATA SHEET

FVE

An orifice plate of corner tap type is used for differential pressure outlet, and the orifice plate is unitized with the differential pressure outlet. It provides high reliability compared to an orifice plate with ring (Type FVA), it is of size 25A to 350A and is appropriate for medium and high pressure.



SPECIFICATIONS

Type: Corner taps
 Calculation standard: According to concentric edge
 JIS Z 8762-1995 [ISO 5167-1:1991]

Nominal pipe size: 25A to 350A
 [These orifice plates with CARRIER RINGS can be supplied for nominal pipe sizes up to 1000A.]

Materials of main elements:
 Unitized ring plate;
 SUS304, SUS316, SCM415, *SUS410, ASTM-A182F1, ASTM-A182F11
 Differential pressure outlet pipe;
 SUS304TP, SUS316TP, STPA

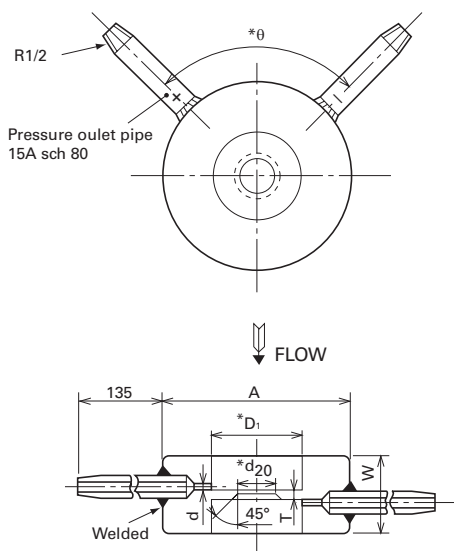
Connection method:
 Connection flange;
 JIS 30, 40, 63K
 ANSI 400, 600, 900Lb
 Differential pressure outlet pipe;
 15A Sch80
 Tip size R1/2

CODE SYMBOLS

1	2	3	4	5	6	7	8	9	10	11	12	13	Description	
F	V	E					2	0						Nominal pipe diameter (A) ⁽¹⁾
			0	0	2	5								} Enter pipe diameter in 4th to 7th digits
			0	3	5	0								
								0						Application General use
								S						Material
								W						SUS304
								R						SUS316
								* R						SUS410
								M						SCM415 (ASTM-A182F1)
								N						ASTM-A182F11
														Flange standard
								L						JIS 30K
								M						JIS 40K
								N						JIS 63K
								C						ANSI 400 Lb
								D						ANSI 600 Lb
								E						ANSI 900 Lb
								* Z						Other flange standard
														Working temperature
								1						To 315°C
								2						Over 315°C
														Treatment
								Y						None
								* A						Oil-inhibiting treatment ⁽²⁾

- Notes:
- (1) The standard producible range of pipe size (nominal) is up to 350A.
 - (2) Specify material grade SUS304 (code S) if oil-inhibiting treatment is needed.
 - (3) Those with * marks are non-standard items.

OUTLINE DIAGRAM (Unit: mm)



- * θ
 - * d20
 - * D
- See calculation sheet.
- * D1=1D~1.02D (D represents pipe inside diameter.)

Nominal pipe size	A						T		W	d
	JIS 30K	JIS 40K	JIS 63K	ANSI JPI 400	ANSI JPI 600	ANSI JPI 900	12 th digit of Type			
							1	2		
25A	76	76	77	69.9	69.9	76.2	2	2	50	4
32A	86	86	87	79.4	79.4	85.7	2	2	50	4
40A	97	97	105	92.1	92.1	95.3	2	2	50	4
50A	111	111	122	108	108	139.7	2	2	50	6
65A	137	137	150	127	127	161.9	3	3	50	6
80A	147	147	160	146.1	146.1	165.1	3	4	50	6
100A	170	180	193	174.6	190.5	203.2	3	5	50	8
125A	205	223	232	209.6	238.1	244.5	4	6	50	10
150A	248	262	272	244.5	263.5	285.8	4	6	50	12
200A	293	312	327	301.6	317.5	355.6	5	8	50	12
250A	357	377	391	355.6	396.9	431.8	5	8	50	12
300A	417	431	446	415.9	454	495.3	6	10	50	12

ORDERING INFORMATION

1. Code symbols
 2. Kind, composition and density of fluid
 3. Temperature, pressure, relative humidity and viscosity (heat insulation index for gas) of fluid
 4. Flow rate (maximum, normal, minimum)
 5. Instrument scale
 6. Inside diameter (measured value) and material of piping
 7. Type and maximum differential pressure (for existing instrument) of transmitter to be connected
 8. Size of pipe flange for insertion of orifice
 9. Permanent pressure loss and other restricted items
- (When ordering, please specify the above items in the specification sheet.)

⚠ Caution on Safety

*Before using this product, be sure to read its instruction manual in advance.

Fuji Electric Systems Co., Ltd.

Sales Div. III, International Sales Group
Global Business Group

Gate City Ohsaki, East Tower, 11-2, Osaki 1-chome,
Shinagawa-ku, Tokyo 141-0032, Japan

<http://www.fesys.co.jp/eng>

Phone: 81-3-5435-7280, 7281 Fax: 81-3-5435-7425

<http://www.fic-net.jp/eng>